



PBSC Ltd

Bradley Junction Industrial Estate, Leeds Road, Huddersfield HD2 1UR, UK

Phone: +44 (0)1484 354500

Fax: +44 (0)1484 354504

www.pbsc.co.uk

PVC TRANSFER HATCH

TECHNICAL DATA

	Internal Dimensions	Structural Opening
Dimensions (mm)	300mm x 300mm x 300mm	H: + 44mm and W: +188mm Single Door
	450mm x 450mm x 450mm	
	600mm x 600mm x 600mm	

OPTIONS

- Stainless Steel Support Frame (if not mounted on a bench)
- Stainless Steel Lining for inside of the hatch.
- Opaque Glass Doors for privacy

1 HOUR FIRE RATED HATCH

TECHNICAL DATA

	Dimensions (mm)	Construction
Minimum	300mm x 300mm x 300mm	6mm Pyran Glass Mechanical Interlock
Maximum	800mm x 800mm x 800mm	

OPTIONS

- Stainless steel support frame conveyor systems to client specification
- Fully Automated systems
- Electronic interlock system



PBSC Ltd

Bradley Junction Industrial Estate, Leeds Road, Huddersfield HD2 1UR, UK

Phone: +44 (0)1484 354500

Fax: +44 (0)1484 354504

www.pbsc.co.uk

TRANSFER HATCHES

APPLICATIONS

The PBSC transfer hatch (often referred to as a 'pass through chamber') is used for passing product, equipment or even paperwork between sterile/clean areas and non-sterile/dirty areas. PBSC's innovative use of materials and construction techniques makes these transfer hatches cost-effective for all manner of projects, including chemical facilities, hospitals, laboratories and cleanroom environments.



DESCRIPTION

PBSC transfer hatches come in both stainless steel and phenolic resin construction. The refined design includes a flush interior to the hatch and PBSC's unique mechanical interlock system that aids in the reduction of cross-contamination between clean and dirty areas.

The absence of internal protruding or recessed areas helps eliminate possible bacterial growth and ensures you achieve complete sterilization during clean-down. The toughened plate glass doors ensure minimal pressure is lost whilst passing product between your "sterile" and "non-sterile" areas.

PBSC also offer a tested and certified 1-hour fire-rated transfer hatch, of stainless steel construction, complete with stainless steel door and vision panel. The hatches are available in a range of material construction, including PVC, phenolic resin or 304/316 grade stainless steel.



KEY FEATURES

- Unique proven PBSC mechanical interlock system as standard
- Stainless steel or phenolic resin construction
- No visible fixings
- Robust PBSC cast stainless steel hinge assembly
- 10mm Thick Toughened (BS6206A) glass door leafs
- Easy clean surfaces
- 1.6mm thick stainless steel or 16mm phenolic resin





PBSC Ltd

Bradley Junction Industrial Estate, Leeds Road, Huddersfield HD2 1UR, UK

Phone: +44 (0)1484 354500

Fax: +44 (0)1484 354504

www.pbsc.co.uk

STAINLESS STEEL TRANSFER HATCH

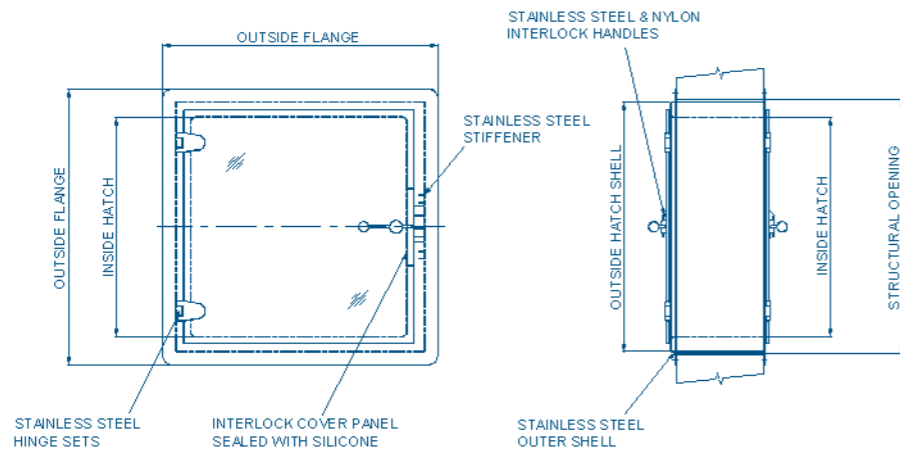
TECHNICAL DATA

	Maximum Clear Height	Maximum Clear Width	Structural Opening	Construction
Single Door	1200mm H (above this height can be considered on application)	1000mm W	H + 139mm and W + 151mm	304 or 316 Stainless Steel in 240 finish
Double Door	1200mm H (above this height can be considered on application)	above 1000mm W	H + 151mm and W + 139mm	304 or 316 Stainless Steel in 240 finish

OPTIONS

- Ventilated air supply/extract
- Stainless steel support frame conveyor systems to client specification
- Vertical sliding door
- Fully Automated systems
- Fumigation Unit with Control Panel
- Electronic interlock system
- Double Doors (required if over 1000mm Wide clear)
- Opaque Glass Doors for privacy
- 3 Door Transfer Hatch

CROSS SECTION DRAWING



PHENOLIC RESIN TRANSFER HATCH

TECHNICAL DATA

	Maximum Clear Height	Maximum Clear Width	Structural Opening
Single Door	1200mm H (above this height can be considered on application)	1000mm W	H + 52mm and W + 188mm
Double Door	1200mm H (above this height can be considered on application)	above 1000mm W	H + 120mm and W + 188mm

OPTIONS

- Ventilated air supply/extract
- Stainless steel support frame conveyor systems to client specification
- Vertical sliding door
- Fully Automated systems
- Opaque Glass Doors for privacy
- Electronic interlock system
- Double Doors (required if over 1000mm Wide clear)
- 3 Door Transfer Hatch

CROSS SECTION DRAWING

