

# PBSC Transfer & Trolley Hatch Systems:



Material Transfer with no loss of facility integrity:

Transfer and Trolley  
Hatch

# PBSC Transfer & Trolley Hatch



## PBSC Transfer Hatch System

- The PBSC transfer hatch system has been the safe choice for facility managers for over 20 years.
- Crevice free interior design
- Interlocked doors
- HEPA filtration air flow option
- HPV decontamination option
- Multiple construction types

The robust design ease of decontamination and door seal reliability ensure that in difficult or demanding applications – where safe performance is critical – the PBSC hatch is the proven solution.

**An estimated 98% of all PBSC hatches are still in service after many years operation.**

As a responsible manufacturer PBSC ensure their products can be updated to incorporate new availability of materials and developing interlock technology.

Client Assessment

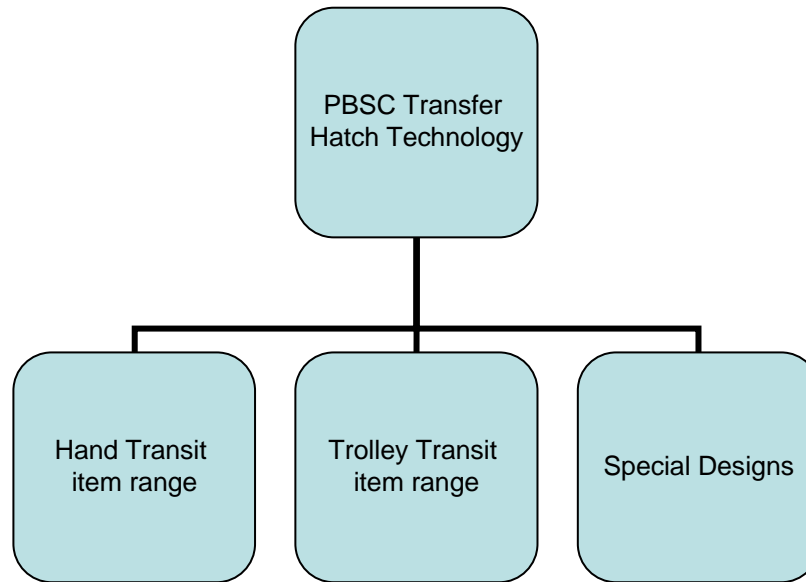
# PBSC Transfer & Trolley Hatch



- No visible fixings on fascias.
- Proven mechanical interlock
- Crevice free construction
- Solid leaf glass doors
- Stainless doors on larger sizes

Hygienic Construction

# PBSC Transfer & Trolley Hatch



**600mm Hand Transfer**



**800mm x 1000 Trolley Transfer**



**Cart to Cart Transfer with HPV**

Hand or Trolley Transfer ?

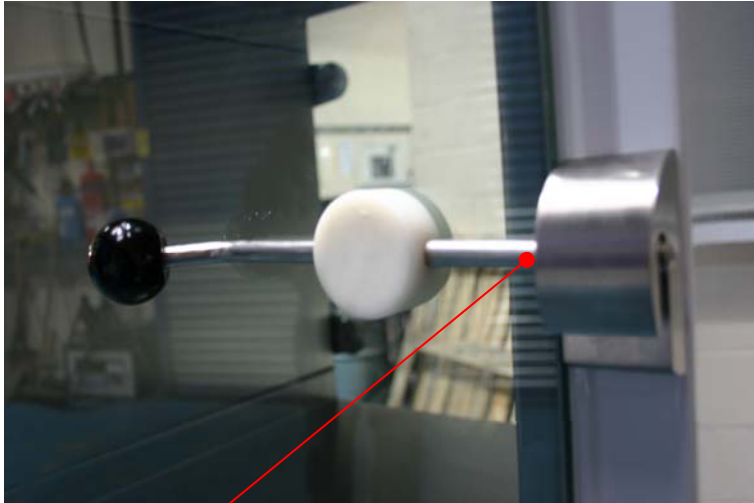
# PBSC Transfer & Trolley Hatch Options:



Transfer Scope:	Hand Transfer	Trolley Transfer
<b>Size Range</b>	600mm x 600mm x 600mm deep (Other sizes available to order)	1000mm x 800mm x 1000mm deep (Other sizes available to order)
<b>Maximum Clear Size</b>	Height: 1800mm H Width : Single door – up to 900mm W Double door – up to 1800mm	Hatches made in bespoke sizes and large sizes are available depending on application
<b>Construction type</b>	Phenolic Resin construction Epoxy Coated Carbon Steel 304/3b finish Stainless Steel 316/3b finish Stainless Steel (Other materials available to order) Interlock type MECHANICAL	Phenolic Resin construction Epoxy Coated Carbon Steel 304/3b finish Stainless Steel 316/3b finish Stainless Steel (Other materials available to order) Interlock type MECHANICAL or MAG LOCK
<b>Door type</b>	Glass panel with fixing free PBSC hinge	Glass panel with fixing free PBSC hinge  Stainless Steel with fixing free PBSC hinge
<b>Available Features</b>	<b>Fire rated version</b> Shelving Bag/container supports HEPA filtration/HVAC connections Lighting Electronic access control	Shelving Bag/container supports HEPA filtration/HVAC connections Lighting Electronic access control <b>Bio-Decontamination</b>

Hatch Construction

# PBSC Transfer & Trolley Hatch



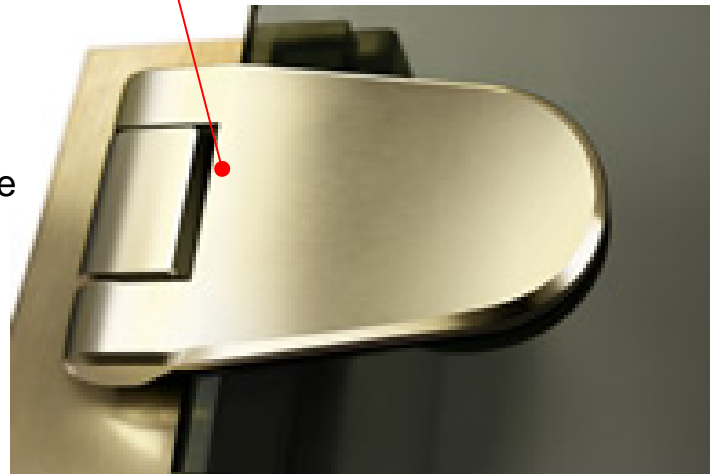
## Key Features

PBSC Hinge;  
solid stainless steel hinge in 304  
or 316 stainless steel.

The hinge is purpose built for  
clean room environments with a  
robust design, providing low  
maintenance and clean finish.

PBSC Concealed Closer System; solid  
stainless steel arm and closer rail.

All PBSC hatch components are purpose  
built for clean room environments with  
radius edges and clean finish.



Frameless Glass Doors

# PBSC Hand Transfer Hatch - Stainless



## Door Interlock Technology:

- PBSC's proven interlock technology has been refined over a 20+ year time line.
- Low friction nylon sleeve bearings with carbon steel actuator rods and nylon locking pins provide reliable performance over thousands of operating cycles.
- No visible fixings or interlock pins to compromise clean ability.

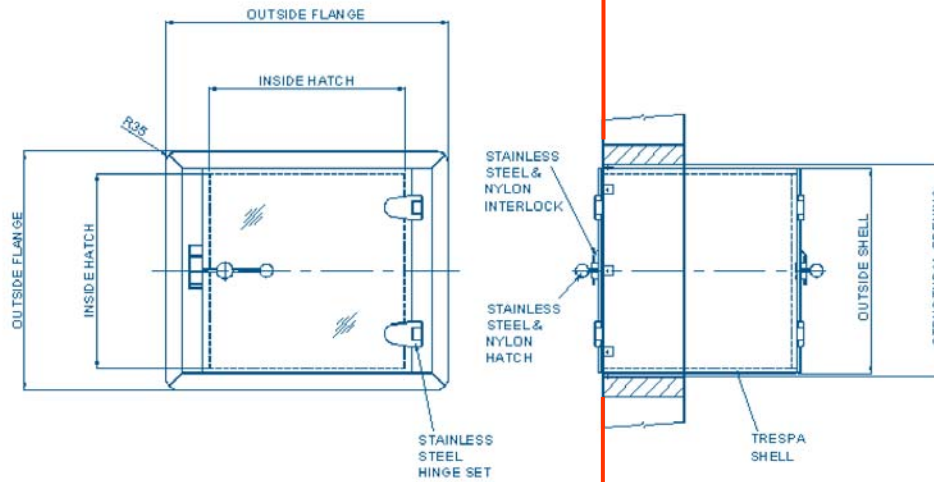
Facility Security



## CROSS SECTION DRAWING

Clean Facility (positive pressure)

Materials collection corridor (unclassified)



Material Transfer with no loss of facility integrity

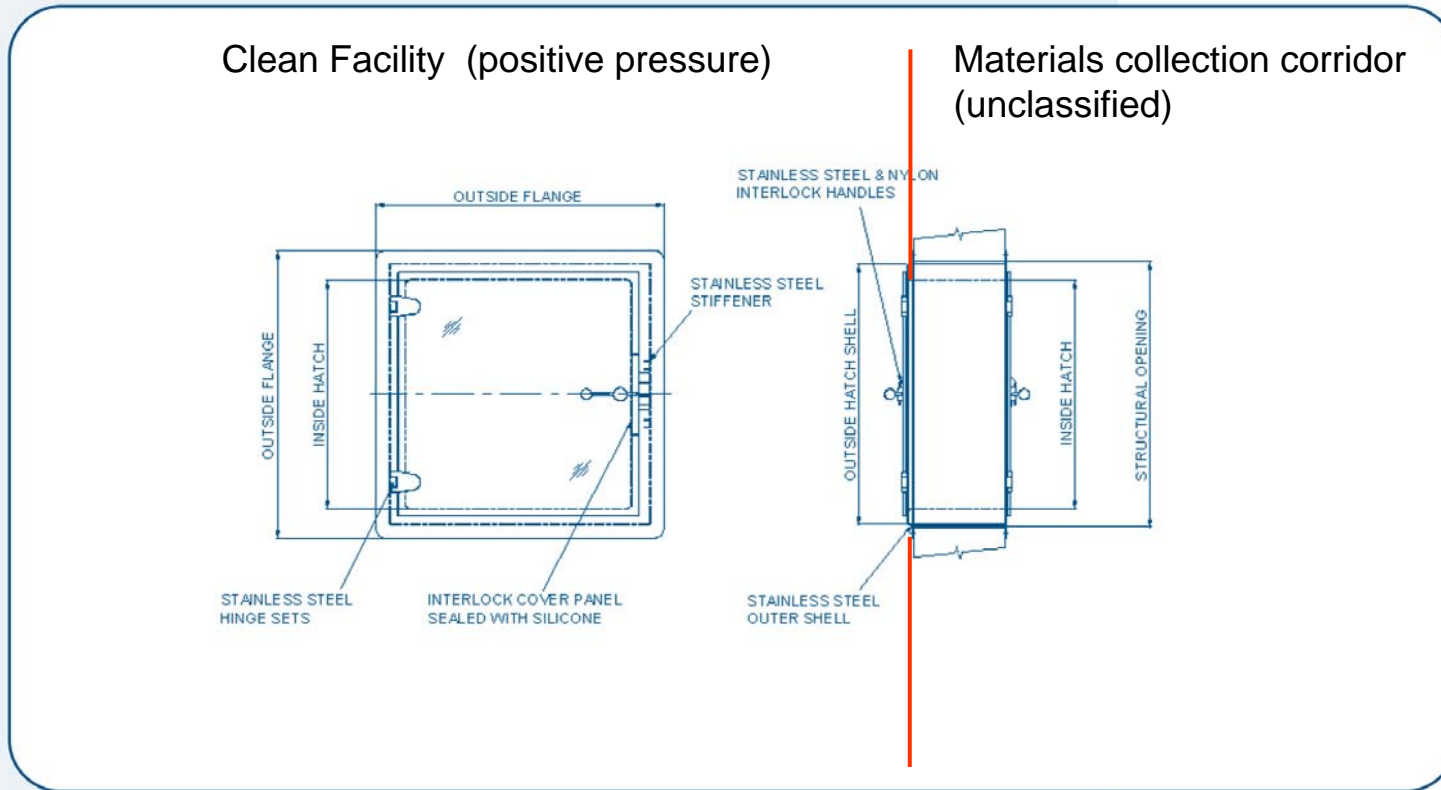
Hatch Interface



# PBSC Hand Transfer Hatch – 150mm deep Stainless



## CROSS SECTION DRAWING



Material Transfer with no loss of facility integrity

Hatch Interface

# PBSC Transfer Hand Hatch



Materials Transfer

# PBSC Transfer Hatch Systems ATEX Fire Rating



Fire Rated Transfer:



## Phenolic Resin Hatch Construction

- Cost effective construction – with no compromise in facility integrity
- Door seals and hinge to std PBSC construction quality
- Non shedding phenolic resin construction easy to de contaminate



Phenolic Resin construction hatches

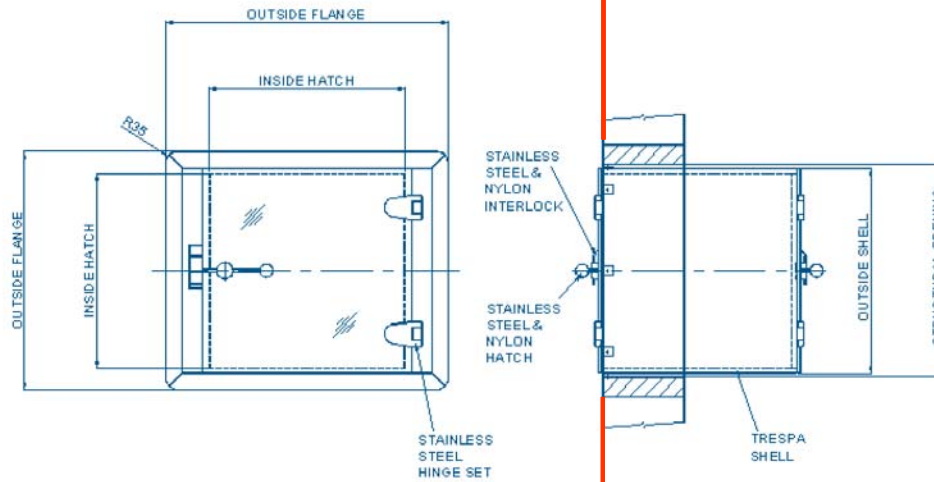
Value Engineered



## CROSS SECTION DRAWING

Clean Facility (positive pressure)

Materials collection corridor (unclassified)



Material Transfer with no loss of facility integrity

Hatch Interface

# PBSC Trolley Hatch



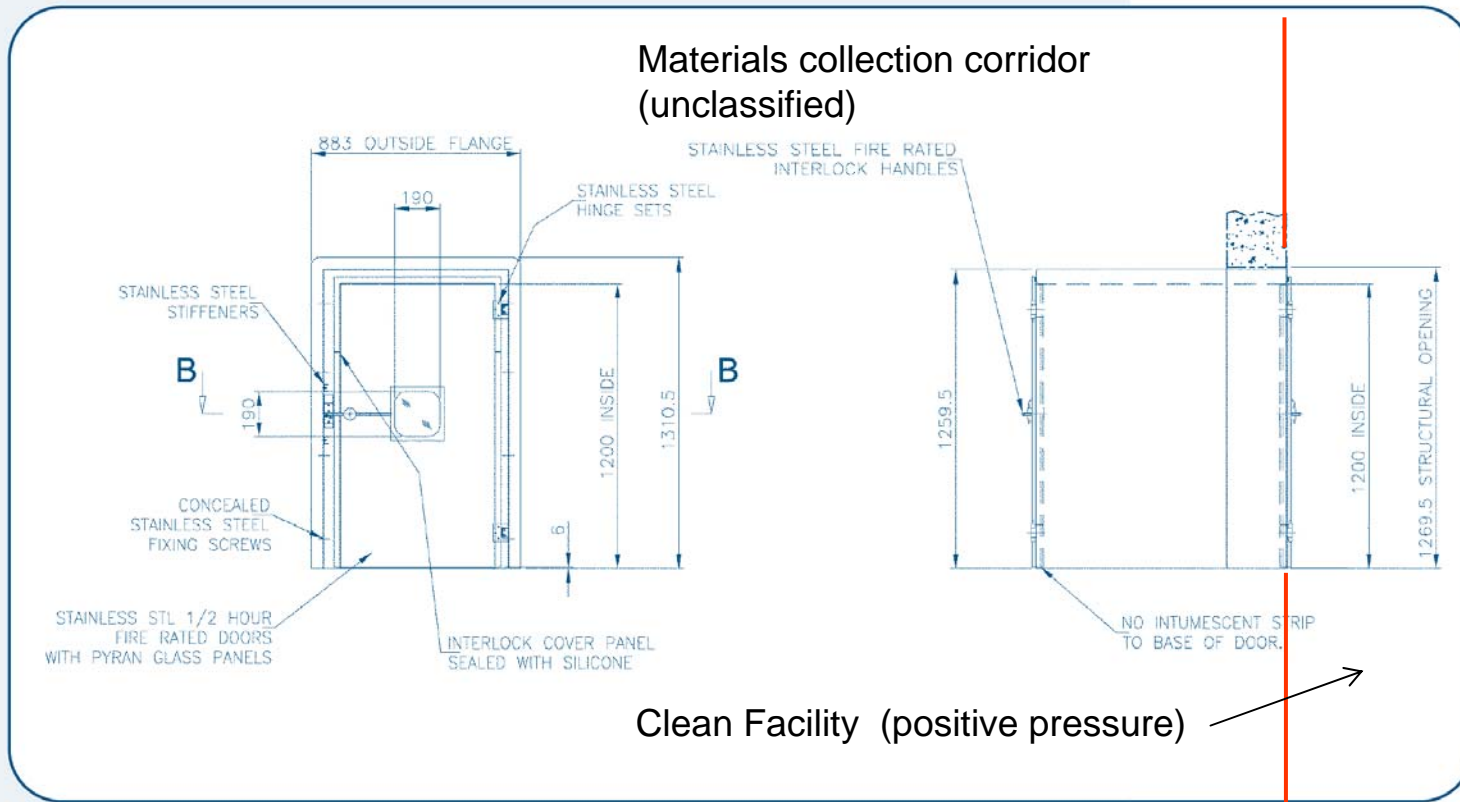
		Details	Comments
<b>SERVICES</b>	Power	1 phase, 240V, 50Hz	Wiring by others
	HVAC	Ducting size TBC for supply and/or extraction on hatches with air purge cycles	Duct connection to spigot on top of hatch by others
<b>Maximum Clear Size</b>	Height:	1800mm H	Hatches made in bespoke sizes and large sizes are available depending on application
	Width:	Single door – up to 900mm W Double door – up to 1800mm W	
<b>Clear to Structural Opening</b>	Height:	+139mm	These may vary with some bespoke hatches but will be confirmed and will be confirmed on approval drawings
	Width:	+151mm	
<b>Materials of Construction</b>		304 grade stainless steel Option to upgrade to 316 stainless steel  Value engineering option of a powder coated outer shell available	All stainless steel components upgrade to 316 stainless steel, this includes the hinges, handles and latch block
<b>Materials of Construction</b>		304 grade stainless steel with the option to upgrade to 316 grade stainless steel.	These may vary with some bespoke hatches but will be confirmed and will be confirmed on approval drawings

Hatch Construction

# PBSC Trolley Hatch



## CROSS SECTION DRAWING



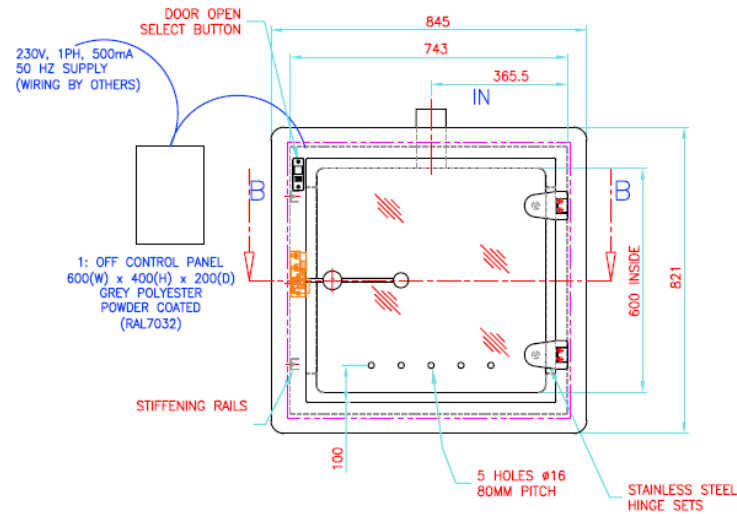
Material Transfer with no loss of facility integrity

Hatch Interface

# PBSC Trolley Hatch



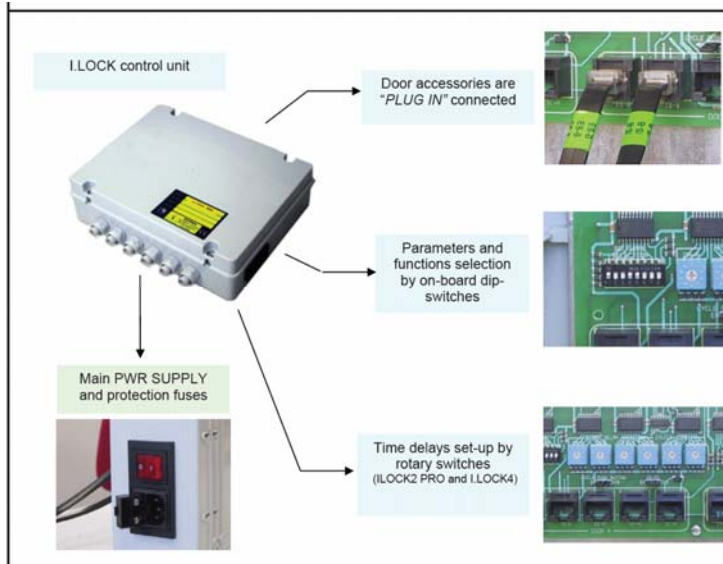
- Flush jointing between panels
- 304 grade stainless steel (316 grade stainless steel optional)
- Polished to DP1 / 30u-inch Ra
- Single or double skin construction (optional)
- Welded and polished corners
- No visible fixings
- Silicone sealed joints



Hatch Construction



# PBSC Trolley Hatch & Facility Security



- The established PBSC mechanical interlock system may be upgraded to electronic interlock

## I.LOCK2 PRO (two doors interlock with time delays)

*The I.Lock2 "pro version" has the same functions as the basic version but also includes the following:*

Doors sequence selection:

- Dressing room (with IR presence detector inside the room).
- Pass-box for unidirectional or bi-directional material loading.
- Pass-box with manual or automatic cycle.

**Three** independent pre-settable delay times for UV and Fan controls

Times selection by rotary switches on-board.

Time-base selection: seconds or minutes.

Running cycle remote control.

Door Interlock

# PBSC Transfer Hatch Systems with Bio-decontamination

---

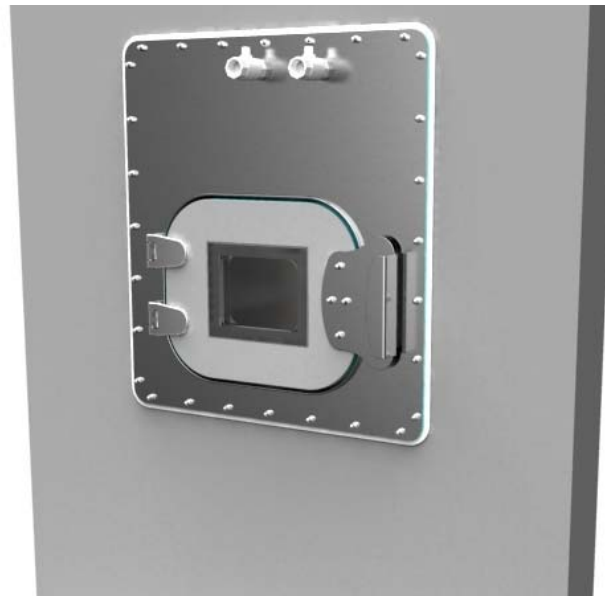


Bio Decontamination



## Bio-Decontamination

Hand and Trolley transfer hatches are available with HPV decontamination technology.



Bio Decontamination



## Hatch Options:

- Mechanical or Electronic Door Interlocks
- Epoxy Steel / Phenolic Resin or Stainless constructions
- Shelving or container holders
- HEPA filtration HVAC connections
- HPV Decontamination

Need More?

Ask the PBSC Technical Team:

UK & Worldwide                    +44 1484 354 500

USA                                    +1 888 554 5885

[www.pbsc.co.uk](http://www.pbsc.co.uk)

Options